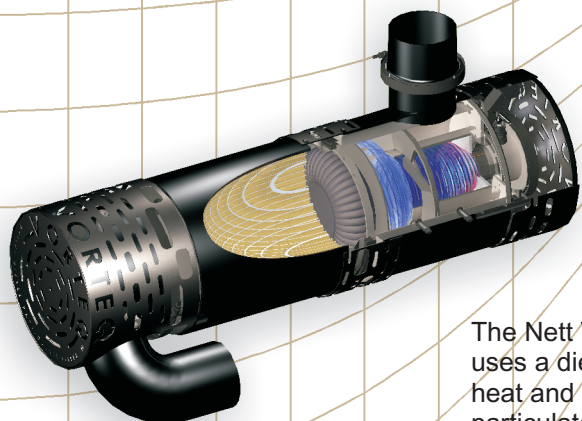


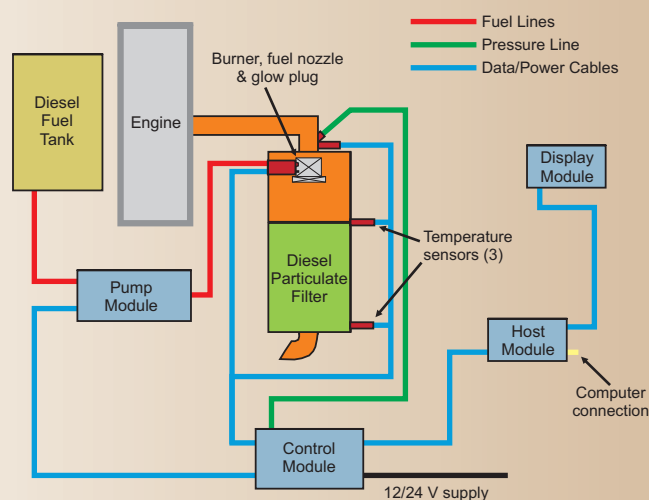
# VORTEQ™ ACTIVE DPF SYSTEM

## SYSTEM OVERVIEW

The Nett Vorteq™ is an active diesel particulate filter system designed to control particulate emissions from diesel engines in on-road, non-road and stationary applications. Active systems are not sensitive to variations in exhaust gas temperature and are a practical diesel particulate control solution for all sizes of diesel engine. The Vorteq™ is an onboard system, no external power is required to operate it and is suitable for retrofit of all tiers of engine which are not factory fitted with a diesel particulate filter.



The Nett Vorteq™ system uses a diesel fuel burner to heat and oxidize the particulate matter (soot) that accumulates on a silicon carbide particulate filter monolith. A computerized monitoring system evaluates the level of soot in the filter and triggers regeneration (automatic mode) or alerts the machine operator (manual mode) when soot needs to be burned off. In both modes, the regeneration occurs during periods when the engine is idling.

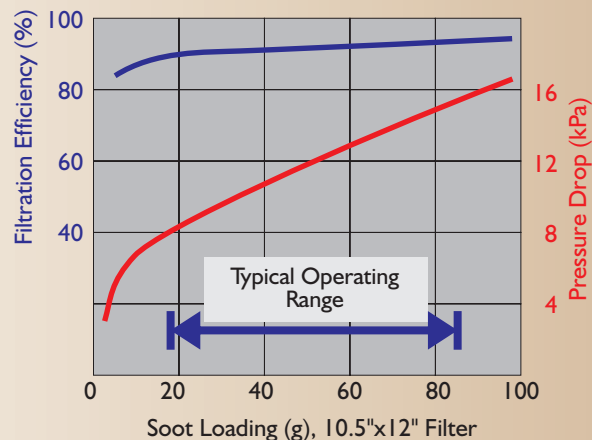


## SYSTEM EFFICIENCY

The particulate matter filtration efficiency of the active diesel filter typically exceeds 90%. The filtration efficiency of the elemental carbon fraction of diesel particulates (soot) is 95-99%.

Due to the presence of a precious metals catalyst, the filter typically reduces 70-90% (depending on exhaust temperature) of hydrocarbon and carbon monoxide emissions. There is no NO<sub>2</sub> increase due to a special catalyst formulation.

Typical exhaust gas pressure drop on a active DPF system is between 7.5 and 15 kPa (30-50 in H<sub>2</sub>O).



**NETT**  
**NETT TECHNOLOGIES INC.**  
 2-6707 Goreway Drive  
 Mississauga, ON L4V 1P7 Canada  
[www.nett.ca](http://www.nett.ca)  
 e-mail: [sales@nett.ca](mailto:sales@nett.ca)  
 tel: 905.672.5453 fax: 905.672.5949  
 toll-free (North America): 800.361.6388

Technical data and information regarding the products described in this brochure is believed to be reliable. However, no representation or warranty is made with respect thereto except as made by Nett® Technologies Inc. in writing at the time of sale. © 2008 Nett® Technologies Inc.

**...the emission control authority.**